

# Professional lighting system

Beam Angle Adjustable Track Lights

## LED Track Light Series



**S**IOSUN

## LG-T701C



### Features:

Design:

© LG-T701C series of products using high thermal conductivity of aviation aluminum, optical and fuselage design beyond the conventional track lights, Patent Design Light Structure for good heat dissipation, have great originality.

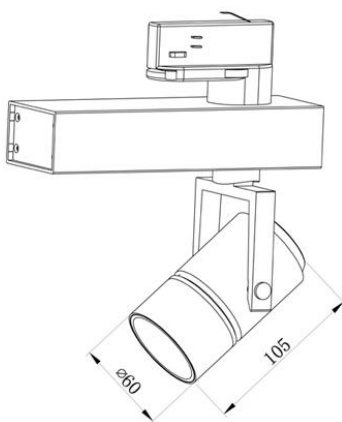
© Glass lens focusing design, Beam angle adjustable (stretch retracted)  $10^{\circ}$  -  $60^{\circ}$  .

© Citizen COB LED, no shadow, strong penetrability. High CRI 80/90 and 97 are available for 2700K/3000K /4000K.

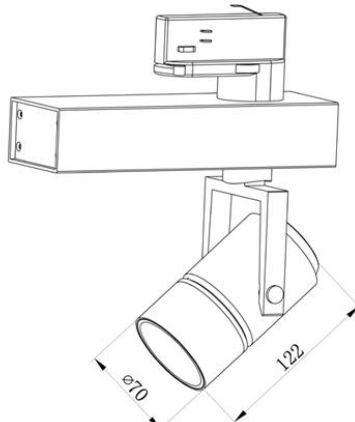
© Complete kit whit trae dimmable or 0-10V and PWM dimmable Driver.



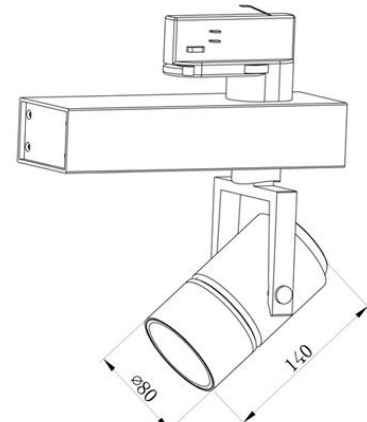
### Product display:



20W CLASS



30W CLASS



40W CLASS

## Optical Parameter

Power (W)	Beam(°)	CRI/Flux (Lm)			CCT (K)	Non-Dim	0-10V Dim	Triac-Dim	Dali-Dim
20	10° -60°	Ra80+/2180	Ra90+/1580	Ra97+/1380	2700	√	√		
		Ra80+/2208	Ra90+/1630	Ra97+/1410	3000				
		Ra80+/2236	Ra90+/1700	Ra97+/1480	4000				
		Ra80+/2210	Ra90+/1480	Ra97+/1310	2700				
		Ra80+/2175	Ra90+/1512	Ra97+/1379	3000				
		Ra80+/2200	Ra90+/1580	Ra97+/1400	4000				

## Electric Parameter

Input (V)	Output (V)	Output (I)	Power Factor	Ambient Temp	Working temps	LED Chip	Lifespan
AC100-260	36V DC	0.50 A	0.95+	-25~+45°	≤50°	COB	50000H

## Optical Parameter

Power (W)	Beam(°)	CRI/Flux (Lm)			CCT (K)	Non-Dim	0-10V Dim	Triac-Dim	Dali-Dim
30	10° -60°	Ra80+/3300	Ra90+/2800	Ra97+/2390	2700	√	√		
		Ra80+/3430	Ra90+/2600	Ra97+/2650	3000				
		Ra80+/3560	Ra90+/2620	Ra97+/2700	4000				
		Ra80+/3160	Ra90+/2630	Ra97+/2580	2700				
		Ra80+/3290	Ra90+/2780	Ra97+/2600	3000				
		Ra80+/3398	Ra90+/2820	Ra97+/2650	4000				

## Electric Parameter

Input (V)	Output (V)	Output (I)	Power Factor	Ambient Temp	Working temps	LED Chip	Lifespan
AC100-260	36V DC	0.75 A	0.95+	-25~+45°	≤55°	COB	50000H

## Optical Parameter

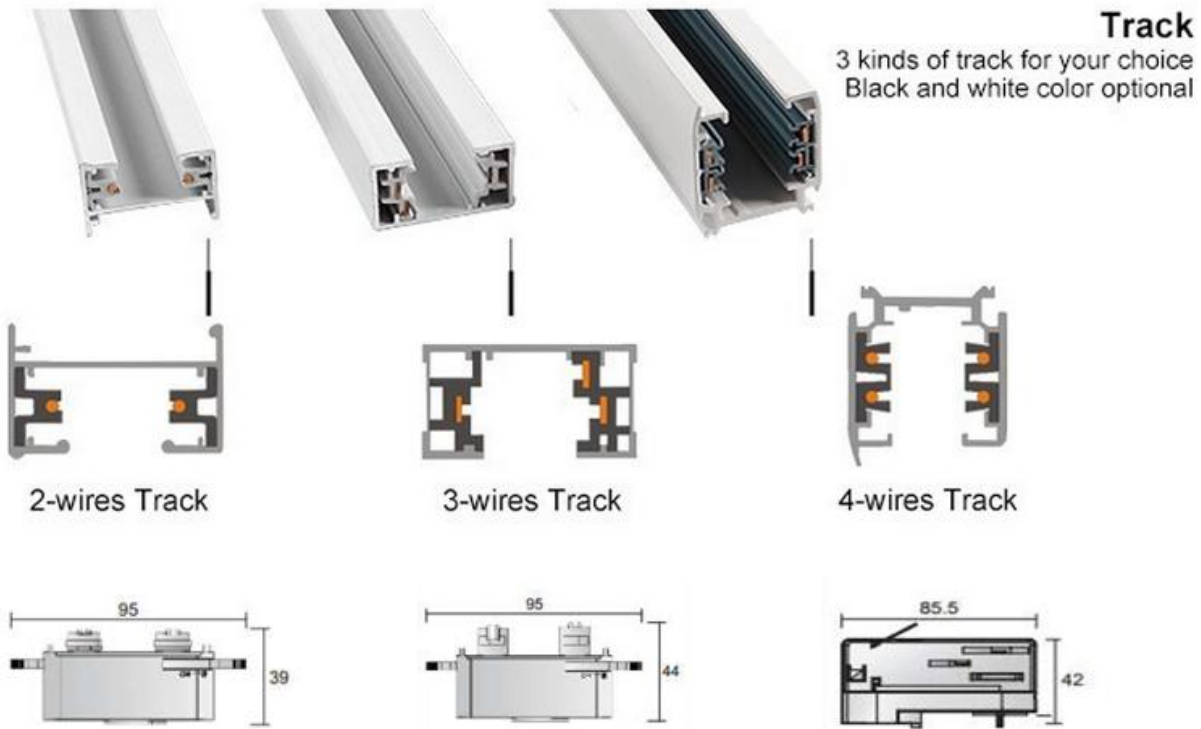
Power (W)	Beam(°)	CRI/Flux (Lm)			CCT (K)	Non-Dim	0-10V Dim	Triac-Dim	Dali-Dim
40W	10°	Ra80+/4000	Ra90+/3080	Ra97+/2720	2700	√			
		Ra80+/4070	Ra90+/3120	Ra97+/2852	3000				
		Ra80+/4120	Ra90+/3180	Ra97+/3900	4000				
	30°	Ra80+/3810	Ra90+/3000	Ra97+/2600	2700				
		Ra80+/3900	Ra90+/3050	Ra97+/2560	3000				
		Ra80+/4000	Ra90+/3110	Ra97+/2480	4000				
	40°	Ra80+/3680	Ra90+/2960	Ra97+/2490	2700				
		Ra80+/4720	Ra90+/3000	Ra97+/2530	3000				
		Ra80+/4780	Ra90+/3102	Ra97+/2580	4000				

## Electric Parameter

Input (V)	Output (V)	Output (I)	Power Factor	Ambient Temp	Working temps	LED Chip	Lifespan
AC100-260	36V DC	0.85 A	0.95+	-25~+45°	≤55°	COB	50000H

## Track light accessories:

Global compatible track system SAA TUV UL approved:



## Product packaging:

